



Pilkington Pyrodur™

FIRE TEST SUMMARY

Timber Doorset with Sidescreens and Overpanel

60 minutes Integrity

REFERENCE: RF 05036



PILKINGTON

Pilkington Pyrodur™ in Timber Doorset with Sidecreens and Overpanels 60 minutes Integrity

Pilkington Pyrodur™ is a clear fire-resistant glass providing integrity and partial insulation with impact resistance for screens and doors.

Test reference:

RF 05036

Test station:

Chiltern International Fire Ltd

Test date:

21st April 2005

Test sponsor:

Pilkington United Kingdom Ltd

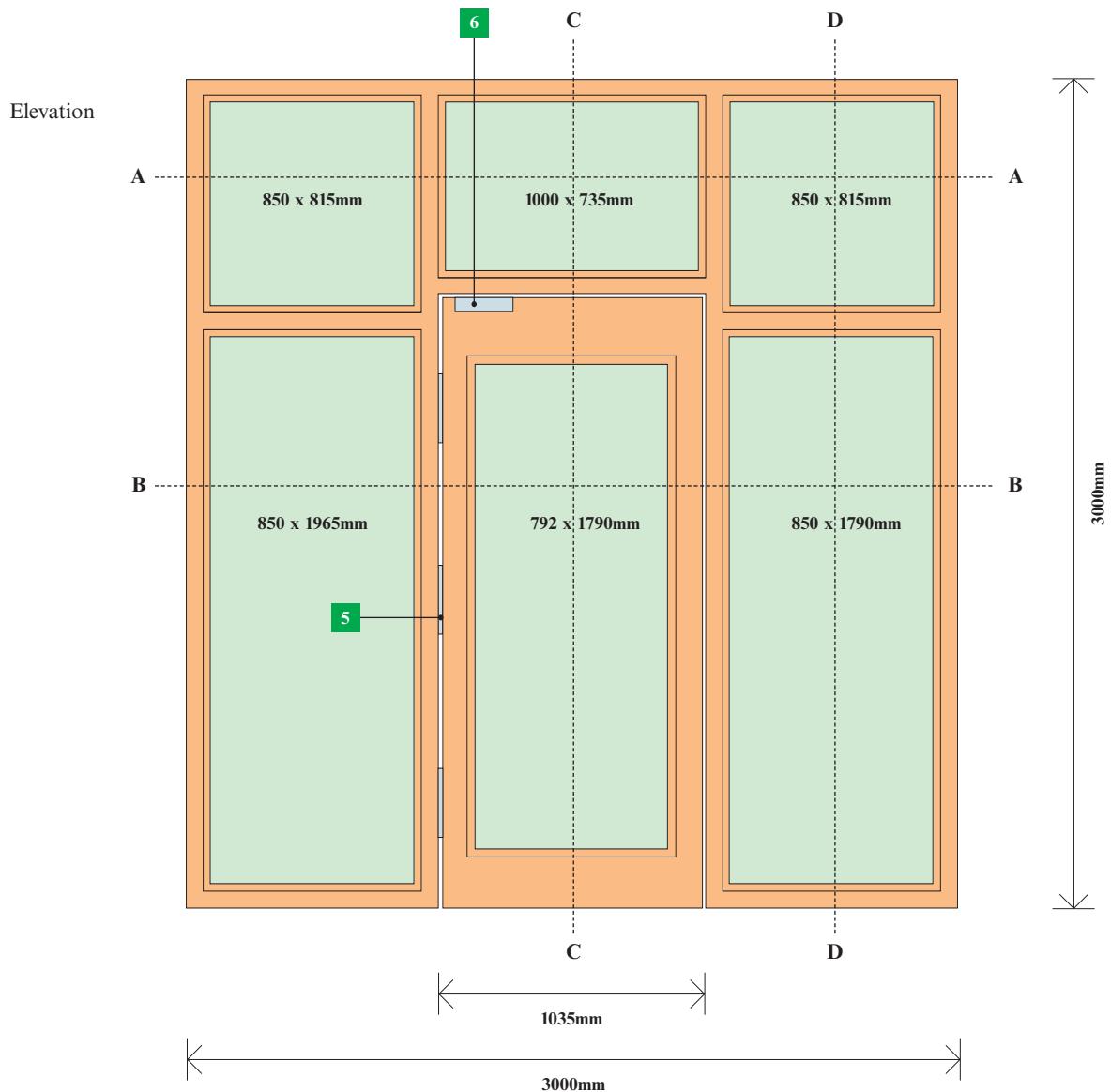
Test standard:

BS EN 1363 : Part 1 : 1999

BS EN 1634 : Part 1 : 2000

General description of the assembly

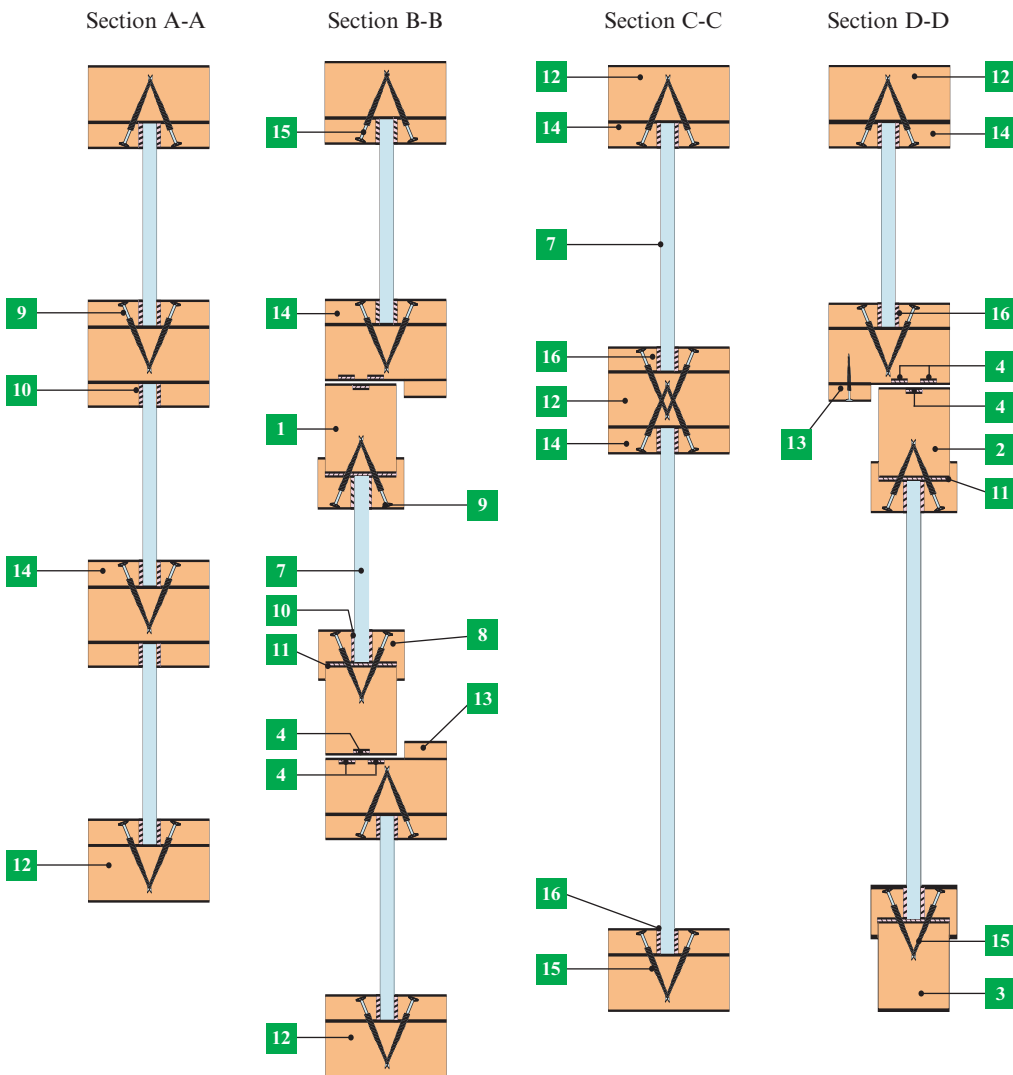
- 10mm Pilkington Pyrodur™ 60-10
- Hardwood framed timber-based fire door
- Hardwood screen
- Glass glazed into Hodgsons sealant
Firestrip 60



*Glazing dimensions are actual glass sizes
Diagrams are not to exact proportions*

Key to figures

- | | |
|--|---|
| <p>1 100 x 54mm Sapele Stiles (measured minimum density 640kg/m³)</p> <p>2 100 x 54mm Sapele top rail</p> <p>3 195 x 54mm Sapele bottom rail</p> <p>4 15 x 4mm Lorient Polyproducts Ltd LP1504 frame reveal – head and jambs and vertical edges</p> <p>5 100 x 35mm (blade size) Royde & Tucker H101 hinges</p> <p>6 293 x 60mm (footprint size) Dorma Door Controls Ltd TS83 overhead type closer</p> <p>7 10mm Pilkington Pyrodur™ 60-10</p> <p>8 20 x 24mm and 5 x 5 bolection return. Sapele beading</p> | <p>9 60mm wood screws fitted at 50 in from the corners and at nominally 150 centres</p> <p>10 20 x 3mm Hodgsons Sealant Firestrip 60</p> <p>11 50 x 2mm Norseal flexible glazing liner</p> <p>12 95 x 45mm Sapele head, jambs, transoms and mullions (measured minimum density 640kg/m³)</p> <p>13 35 x 12mm Sapele planted (pinned) stop</p> <p>14 Sapele beading, 20mm wide x 40mm deep fitted around perimeter on both sides of the glass</p> <p>15 60 long wood screws, fitted at nominally 50 in from the corners, 150 centres and at 45° to the face of the glass</p> <p>16 20 x 3mm Hodgsons Sealant Firestrip 60, fitted between the beading and the face of the glass</p> |
|--|---|



Horizontal Cross Section

Vertical Cross Section

Scope

The results of this assessment only relate to the behaviour of the specimen of the element of construction under the particular conditions of the test. They are not intended to be the sole criteria for assessing the potential fire performance of the element in use nor do they reflect the actual behaviour in fires.

10mm Pilkington **Pyrodur™** 60-10 is classified as a Class B safety glass according to the impact performance requirements of BS 6206 : 1981, and has been tested in accordance with the fire test requirements of BS EN 1363 : Part 1 : 1999 and BS EN 1634 : Part 1 : 2000.

This publication gives a general description of the product and materials. It is the responsibility of the user to ensure that their use is appropriate for any particular application and that such application complies with all relevant local and national legislation, standards, codes of practice and other requirements.

Pilkington United Kingdom Limited hereby disclaim all liability howsoever arising from any error in or omission from this publication and for all consequences of relying on it.

Pilkington **Pyrodur™** is a trade mark of the Pilkington Group.

For technical advice please contact us on the number below.



PILKINGTON

Building Products - UK

Prescot Road St Helens WA10 3TT United Kingdom

Telephone 01744 692000 Fax 01744 692880

E-mail: pilkington@respond.uk.com

www.pilkington.com

